

HD UTILITY

GRIP-LOCK™

PROLIFT™

PROFILE™



HAUL LIKE A PRO



ADRIAN STEEL®

Cargo Management Solutions for Commercial Vehicles



ENGINEERED AND MANUFACTURED IN MICHIGAN, BY AMERICANS.

Our goal is to make work safer and more efficient for vehicle operators. We achieve this by providing customized upfitting that reduces risk of injury with ergonomic products and efficient solutions.

Built for hard workers, our products are specifically designed to stand the test of time, in all climates, to provide reliable functionality for the life of the vehicle. With less than 1% quality claims annually, we take pride in providing you the best U.S. made products on the market and back it by our 3-year/36,000 mile warranty.



HAULLIK

PROFILE™

PROFILE™ BY DESIGN.

Ultra-low profile, aerodynamic construction is the ultimate lightweight & tough roof rack system. The clean, simple all-aluminum construction, stainless steel hardware and durable powder-coat finish is built to withstand heavy use and ensure years of dependability. Designed to adapt to almost any vehicle, the unique modular design can be easily upgraded for specific utility use. This is a superior rack system for all your needs.



TAKE A PRO

PROFILE™

Roof Rack Series

**BUILT FOR HARD WORK,
DESIGNED FOR PROFESSIONALS.**

Sleek, Low Profile Design

Leading Safety and Security

Rugged, Durable Components

Industry-Leading Customization

ProLift™: The NEW Drop-Down
Performance Leader

ONE BASE FOR ANY RACK.

The base of the rack is made up of OEM specific mounting feet and powder coated aluminum crossbars with slide channels for easy accessory and add-on installation. These crossbars are the base for any rack option in the PROFILE™ Series.





HD UTILITY

HD UTILITY RACK

A versatile workhorse. Sleek and low-profile for great looking integration on any vehicle. Specifically designed to be clean, tough and versatile.



GRIP-LOCK™ LADDER RACK

The 'Gorilla' of locking ladder systems. Rust-free, heavy duty aluminum construction with ultra-premium wear strips and long-lasting components.



PROLIFT™ LADDER RACK

All-New drop-down ladder rack technology that delivers the Ultimate in Performance...Brilliantly Simple, Sturdy and Unmatched Ease-of-Use.

PROLIFT

SAFE & ERGONOMIC

UP TO 50% LIGHTER OPERATION

The ProLift™ ladder rack system is the easiest and safest drop-down ladder rack on the market, with up to 50% easier operation than comparable racks. Thanks to unique mechanical advantages and dampers, ladders can be raised and lowered effortlessly, saving time, energy and reducing potential back and shoulder injuries. It's also built to last, featuring Adrian Steel's new flagship Profile™ rack system. With ProLift™, you get performance and convenience for all your ladder hauling needs!

Passenger Side
Max-Drop Shown

Passenger Side
Standard-Drop

INCREASED OPERATOR SAFETY

The low-force operation is extremely smooth to reduce operator fatigue and injuries so you can get the job done efficiently, effortlessly and safely.



RELEASE HANDLE



PULL HANDLE TOWARD YOU



RELEASE T-H





UP TO
50%
LESS ENERGY
NEEDED TO OPERATE
VS COMPARABLE
DROP-DOWN STYLE
RACKS

PROLIFT™ OPTIONS:

Standard-Drop

- Designed with ladder hooks, this option lowers off of the van to a single set position. Available for select low roof and compact vans.

Standard-Drop w/ Double Ladder Stack (coming soon!)

- Same single stage action with taller hooks to accommodate two ladders.

Max-Drop (shown)

- The Max-Drop lowers off of the van to a set height with a cartridge and handle that lowers the rear of the ladder closer to the ground. Designed for mid and high roof applications, but also works on low roof vehicles.



HANDLE LATCH



**SLIDE DOWN TO ERGONOMIC
REACH HEIGHT**



**PLACE REAR OF LADDER ON THE
GROUND AND REMOVE FROM RACK.**

PROLIFT

ULTIMATE VERSATILITY & CAPABILITY

This superior multi-use ladder rack offers secure, safe storage for extension ladders, step ladders and A-frame ladders.

Fits extension ladders 14-32 ft.
Step/platform ladders 8-10 ft.

CORROSION RESISTANT

All components are aluminum with a plastisol or powder-coat finish to withstand the elements and help prevent rust.



1. LOCKABLE ATTACHED HANDLE

Prevents losing your ladder rack handle and wasting time obtaining a new one. Pad-Lock capable to prevent theft.

2. PULL ASSIST DAMPER

Dampens the load during operation to prevent damage to the vehicle while also reducing operating force.

3. RUGGED WEAR STRIPS

Protects and helps increase the life of your ladders.

4. ADJUSTABLE CLAMP PAD

Get a snug fit on any ladder with just a half inch wrench or ratchet/socket.

5. LADDER GUIDE / VAN GUARD

Help guide the ladder into the front bracket while also preventing damage to the van from the ladder.

6. SECONDARY SLIDE (MAX-DROP)

The secondary slide lowers the ladder to a lower more ergonomic reach height to prevent back and shoulder injuries during operation.

7. EASY RELEASE T-HANDLE (MAX-DROP)

Press and release with thumb to active the secondary slide.

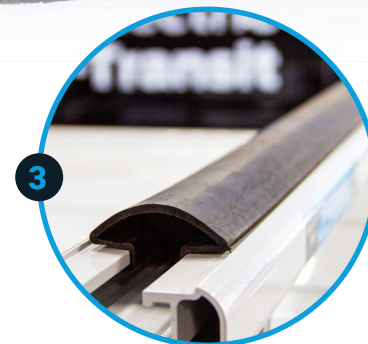


LOCKABLE ATTACHED HANDLE

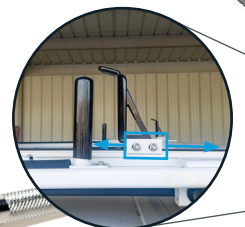
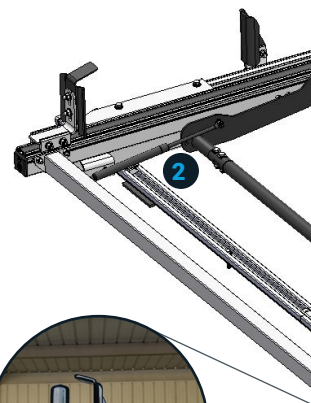
*only available on low roof
& compact vehicles*



PULL ASSIST DAMPER



RUGGED WEAR STRIPS



**ADJUST WITH JUST A
1/2" WRENCH OR RATCHET.**



BUILT FOR PROFESSIONALS



STREAMLINED PROFESSIONAL APPEARANCE

Our aluminum rack design is a perfect blend of sleek, modern and integrated components, designed to provide maximum functionality without adding bulk or wind drag. This means that you get a hassle-free experience without the added stress of rust streaks tarnishing the overall appearance of your business.



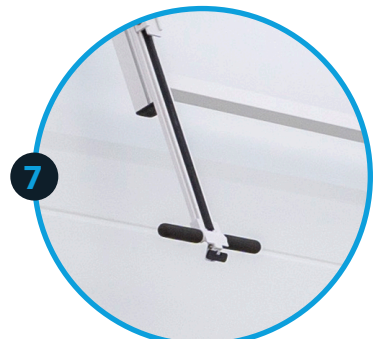
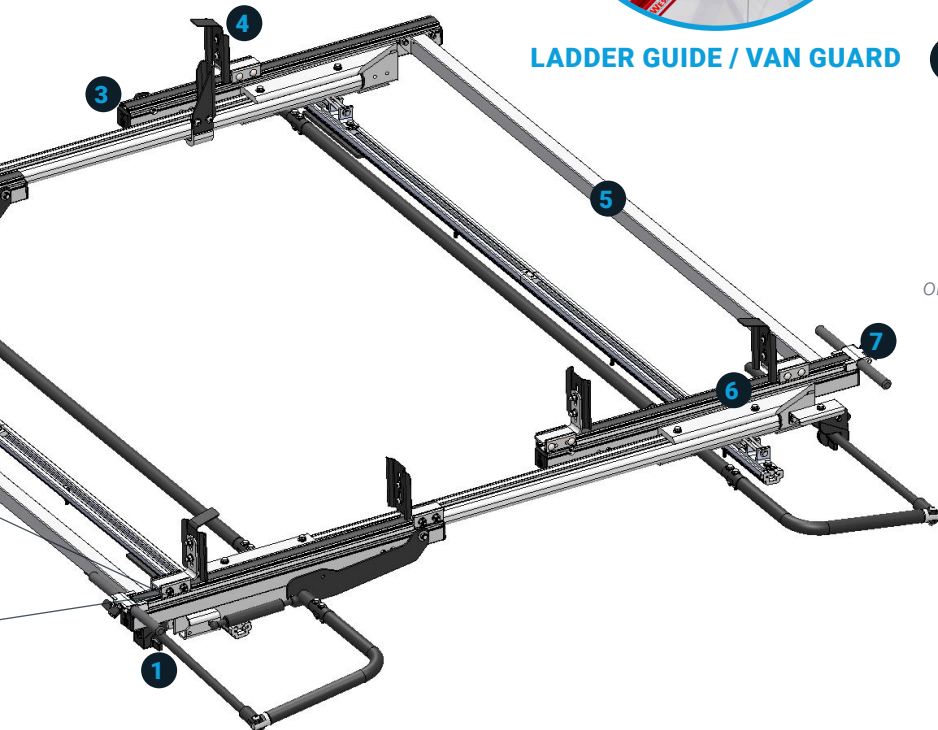
ADJUSTABLE CLAMP PAD



LADDER GUIDE / VAN GUARD



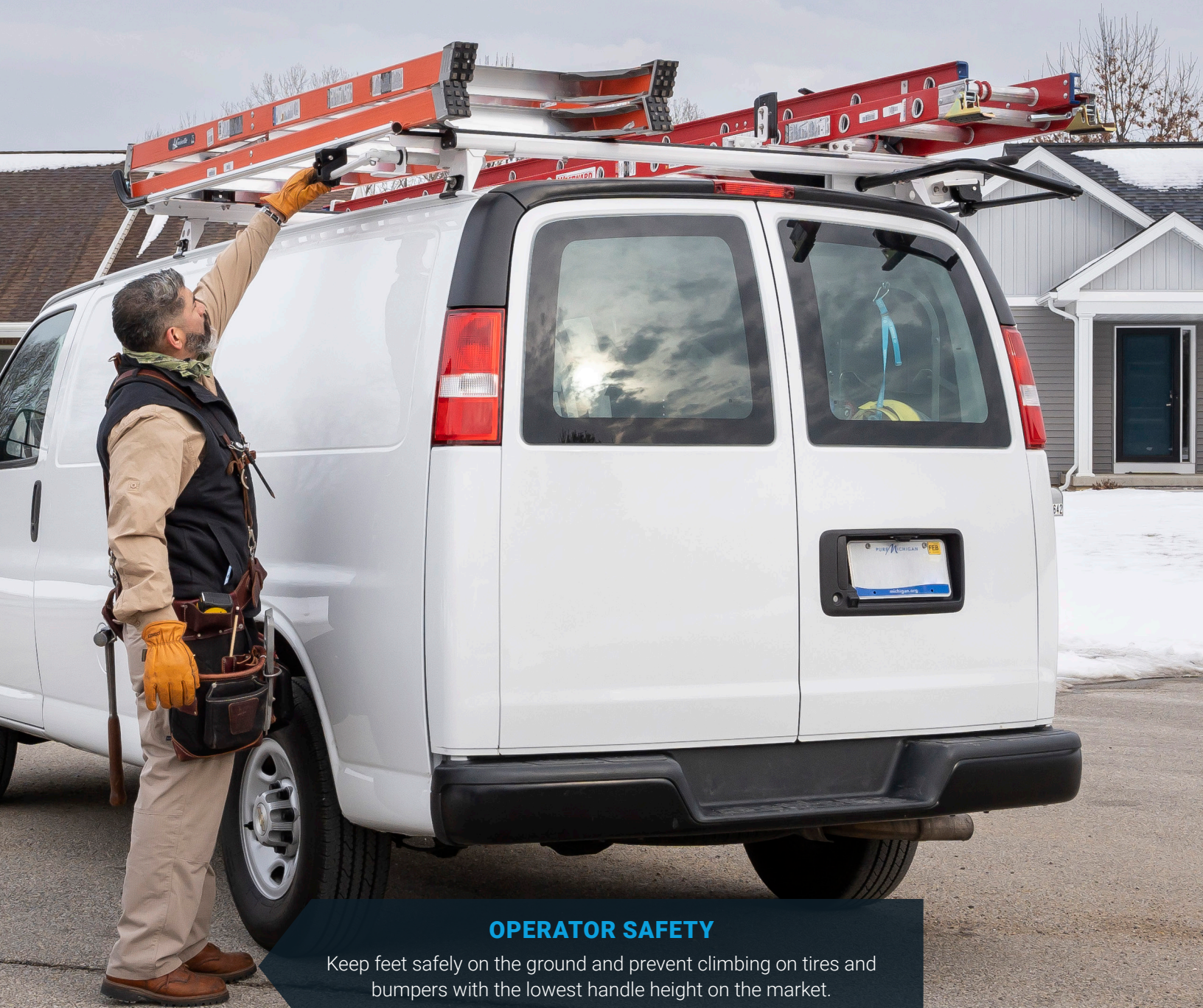
SECONDARY SLIDE
only available on the Max-Drop options



EASY RELEASE T-HANDLE
only available on the Max-Drop options

GRIP-LOCK

Gain better peace-of-mind with the new PROFILE™ Grip-Lock Ladder Rack. Simple one handle operation and adjustable clamping pads provide safe and easy operation with flexibility to carry a wide variety of ladders.



OPERATOR SAFETY

Keep feet safely on the ground and prevent climbing on tires and bumpers with the lowest handle height on the market.

CORROSION RESISTANT

100% aluminum with stainless steel fasteners, this rack resists rust giving you a clean professional look all year round.



1

FLEXIBILITY

Designed with adjustable clamp brackets, this ladder rack will secure 8ft. step ladders all the way up to 32ft extension ladders



2



3



LADDER PROTECTION

Coated aluminum clamp pads reduce rattling and help extend ladder life.

4



LADDER SECURITY

Lock capable handle to help prevent theft and keep your ladder secure.

HD UTILITY

This rack is modular in design allowing you to build a custom rack to support the variety of cargo you need to carry on top of your van, pickup truck or KUV.

What's Available?

- 2 and 3 bar configurations
- 3 different uprights to choose from
- Aluminum and PVC Conduit Kit Add-Ons
- Ladder Stop Add-On
- Rear Roller Add-On

Product Insight

- Available for all full-size and compact vans
- No-Drill Installation
- 100% aluminum design with stainless steel fasteners
- Light weight & corrosion resistant
- Only pay for what you need on the rack



MADE IN USA

2 OR 3 BAR CONFIGURATIONS



4 UPRIGHT OPTIONS



4" Plastisol



6" Plastisol



9" Plastisol



9" Plastisol
w/ Ratchet

ADD-ON ACCESSORIES



Ladder Stop



Rear Roller (Full-size vans only)



PVC Conduit Caps (4" & 6")



Aluminum Conduit Kits (10'6" & 12'6")

PROFILE™

HD UTILITY



**NOW AVAILABLE
FOR TOPPERS**





ADRIAN STEEL®

Cargo Management Solutions for Commercial Vehicles



ADRIAN STEEL®

Cargo Management Solutions for Commercial Vehicles

PROFILE™



PROLIFT™



GRIP-LOCK™



HD UTILITY



MADE IN USA



ADRIAN STEEL COMPANY

info@adriansteel.com

800.677.2726